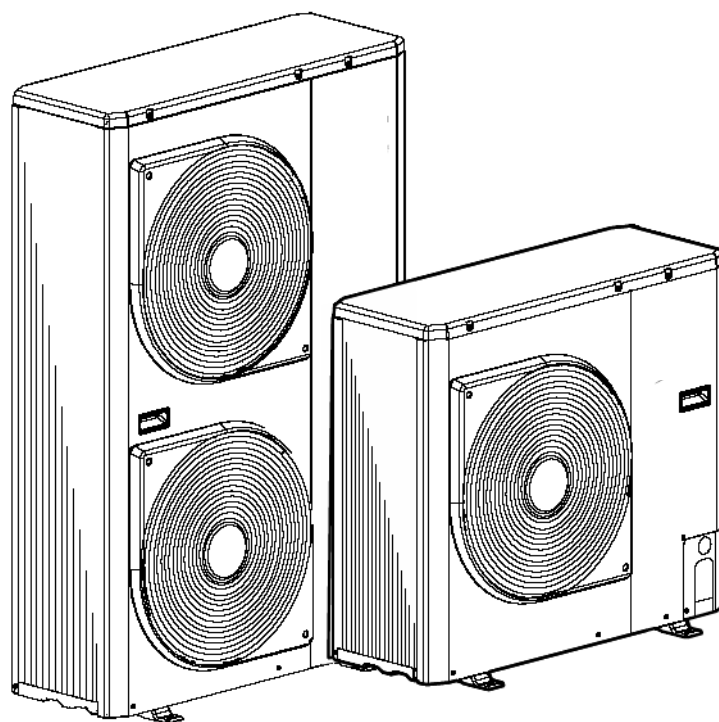


30AW

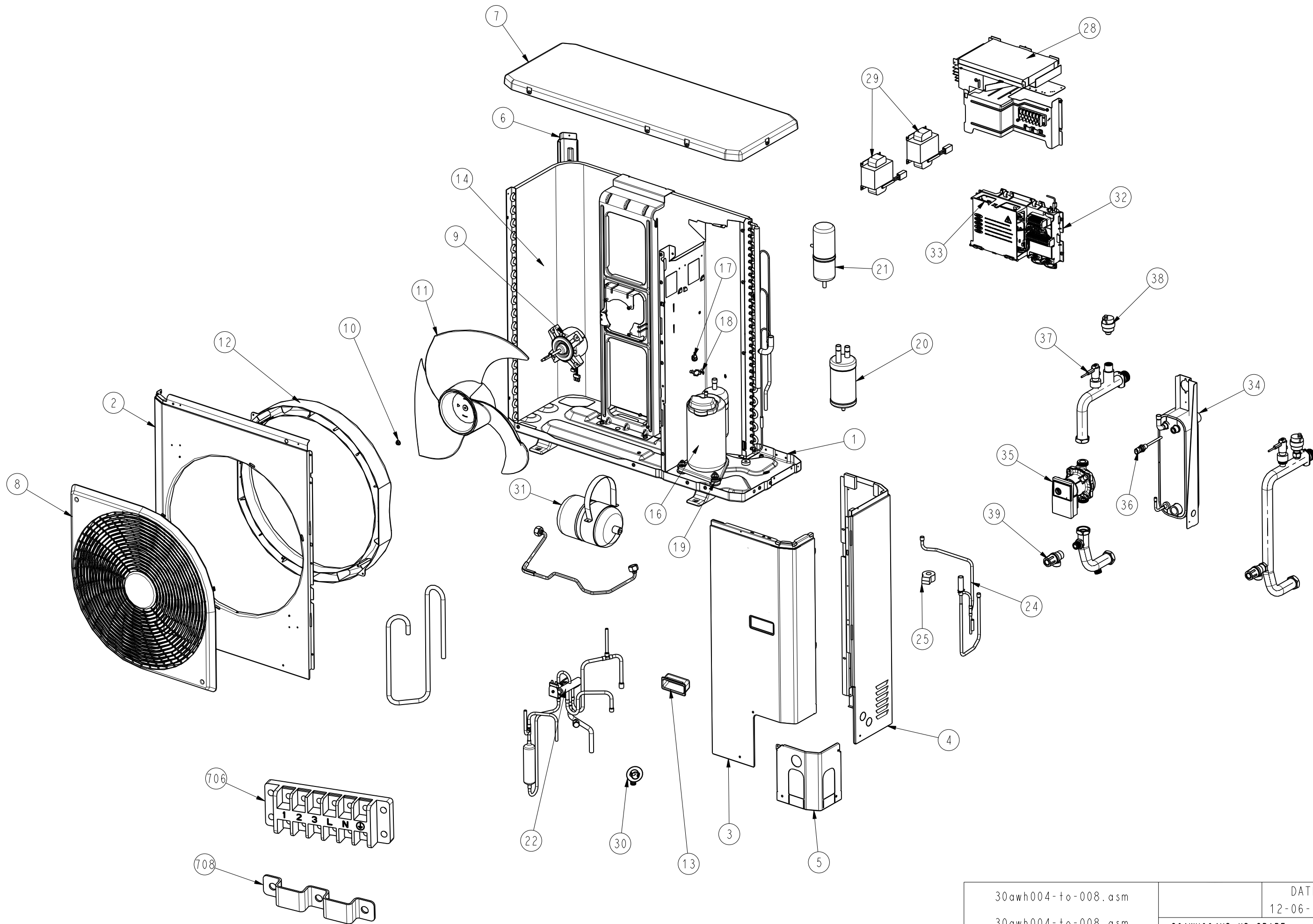
Reversible heat pump Inverter

Spare parts



30AWH012 _ _ _
30AWH015 _ _ _

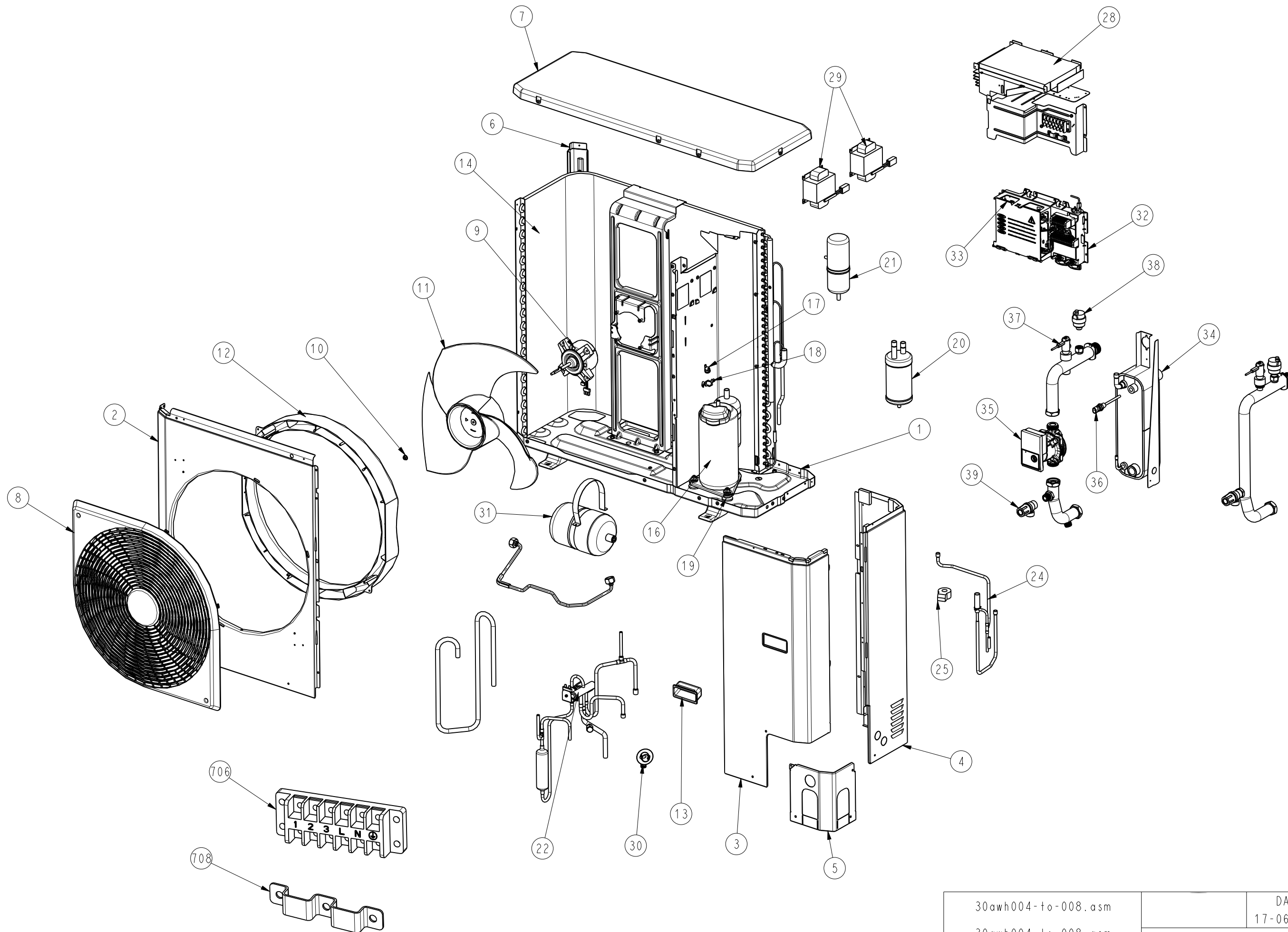
30AWH004 _ _ _
30AWH006 _ _ _
30AWH008 _ _ _



| | | |
|-------------------------------------|-----------------------|---------|
| 30awh004-to-008.asm | DATE | Feuille |
| 30awh004-to-008.asm | 12-06-2015 | Sheet |
| | 30AWH004HD-XD_SPARE_1 | 1/1 |
| EMEA REPLACEMENT COMPONENT DIVISION | | Indice |
| | | - |

Emea Replacement Components Division

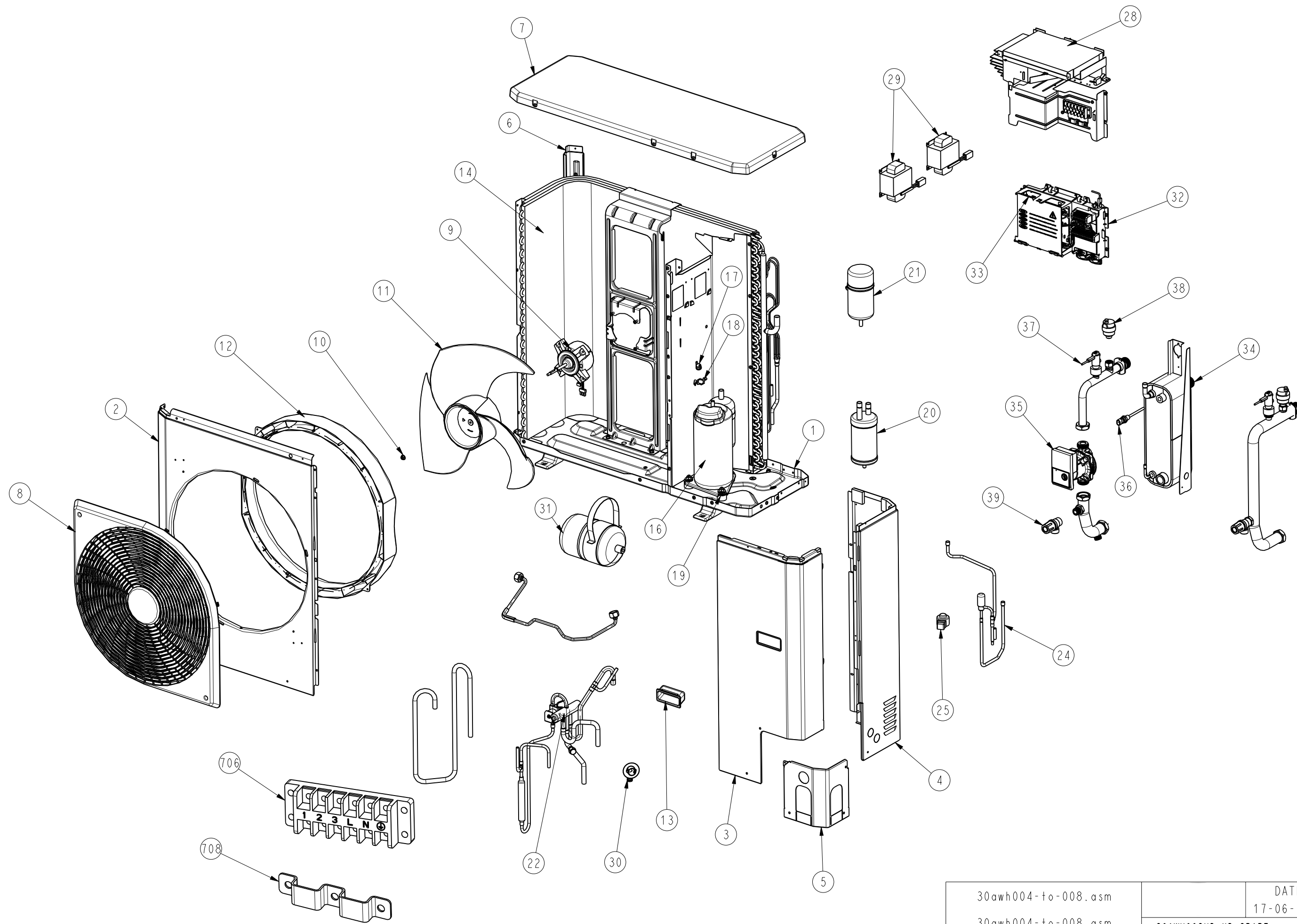
| Pos. | Description | Codice Part No | 30AWH004HD | 30AWH004XD |
|------|-------------------------------|-------------------|------------|------------|
| 1 | Base pan assy | C025228G09 | 1 | 1 |
| 2 | Front panel | D021462H01 | 1 | 1 |
| 3 | Front side panel | D021460H01 | 1 | 1 |
| 4 | Rear side panel | C025646H01 | 1 | 1 |
| 5 | Front service cover | D021459H01 | 1 | 1 |
| 6 | Pillar | B035047H01 | 1 | 1 |
| 7 | Ass. top cover | B035827G01 | 1 | 1 |
| 8 | Fan guard | C025265H01 | 1 | 1 |
| 9 | Fan motor | B035774H01 | 1 | 1 |
| 10 | Motor nut | O080209H01 | 1 | 1 |
| 11 | Propeller fan | C025223H02 | 1 | 1 |
| 12 | Orifice | C025238H01 | 1 | 1 |
| 13 | Handle | B035058H01 | 1 | 1 |
| 14 | Condenser coil assy | C025644G51 | 1 | 1 |
| 16 | Compressor | 0370627H06 | 1 | 1 |
| 17 | Klixon | 0370627H25 | 1 | 1 |
| 18 | Klixon holder | 0370627H22 | 1 | 1 |
| 19 | Cushion rubber | 0370627H24 | 3 | 3 |
| 20 | Suction accumulator | 0151001H11 | 1 | 1 |
| 21 | Liquid receiver | 0151101H02 | 1 | 1 |
| 22 | 4 way valve with coil | O0PSG002245600A | 1 | 1 |
| 24 | PMV liquid assy | B036604G01 | 1 | 1 |
| 25 | PMV solenoid coil | 0150420H17 | 1 | 1 |
| 28 | Ass. control box inverter | B036622G02 | 1 | 1 |
| 29 | Reactor | B033064H02 | 2 | 2 |
| 30 | Drain pipe | B035716H01 | 1 | 1 |
| 31 | Expansion vessel | 0150901H04 | 1 | |
| 32 | Assembly control box GMC | B037620G01 | | 1 |
| 32 | Assembly control box GMC | B037621G01 | 1 | |
| 33 | GMC board | B036601H08 | 1 | 1 |
| 34 | Plate heat exchanger assembly | B036530G01 | 1 | 1 |
| 35 | Water pump | O0PSG002070601A | 1 | |
| 36 | Water sensor | 0351107H25 | 1 | 1 |
| 37 | Flow switch | 0170701H20 | 1 | 1 |
| 38 | Automatic purge valve | 0150419H03 | 1 | 1 |
| 39 | Water pressure relief valve | 0150419H01 | 1 | 1 |
| 701 | Sensor (TD) | B004179269 | 1 | 1 |
| 702 | Sensor (TE) | B004177703 | 1 | 1 |
| 703 | Sensor (TS) | B004177704 | 1 | 1 |
| 704 | Sensor (TO) | B004177718 | 1 | 1 |
| 705 | Sensor (TR) | B036600H01 | 1 | 1 |
| 706 | Terminal block 6P, 20A | D001619302 | 1 | 1 |
| 708 | ASM-CORD-CLAMP | 1110084201SS | 1 | 1 |



| | | |
|-------------------------------------|----------------------|---------|
| 30awh004-to-008.asm | DATE | Feuille |
| 30awh004-to-008.asm | 17-06-2015 | Sheet |
| | 30AWH006HD-XD_SPARE_ | 1/1 |
| EMEA REPLACEMENT COMPONENT DIVISION | | Indice |
| | | - |

Emea Replacement Components Division

| Pos. | Description | Codice Part No | 30AWH006HD | 30AWH006XD |
|------|-------------------------------|-------------------|------------|------------|
| 1 | Base pan assy | C025228G09 | 1 | 1 |
| 2 | Front panel | D021462H01 | 1 | 1 |
| 3 | Front side panel | D021460H01 | 1 | 1 |
| 4 | Rear side panel | C025646H01 | 1 | 1 |
| 5 | Front service cover | D021459H01 | 1 | 1 |
| 6 | Pillar | B035047H01 | 1 | 1 |
| 7 | Ass. top cover | B035827G01 | 1 | 1 |
| 8 | Fan guard | C025265H01 | 1 | 1 |
| 9 | Fan motor | B035774H01 | 1 | 1 |
| 10 | Motor nut | 0080209H01 | 1 | 1 |
| 11 | Propeller fan | C025223H02 | 1 | 1 |
| 12 | Orifice | C025238H01 | 1 | 1 |
| 13 | Handle | B035058H01 | 1 | 1 |
| 14 | Condenser coil assy | C025644G51 | 1 | 1 |
| 16 | Compressor | 0370627H10 | 1 | 1 |
| 17 | Klixon | 0370627H25 | 1 | 1 |
| 18 | Klixon holder | 0370627H22 | 1 | 1 |
| 19 | Cushion rubber | 0370627H24 | 3 | 3 |
| 20 | Suction accumulator | 0151001H11 | 1 | 1 |
| 21 | Liquid receiver | 0151101H02 | 1 | 1 |
| 22 | 4 way valve with coil | 00PSG002245600A | 1 | 1 |
| 24 | PMV liquid assy | B036604G01 | 1 | 1 |
| 25 | PMV solenoid coil | 0150420H17 | 1 | 1 |
| 28 | Ass. control box inverter | B036622G01 | 1 | 1 |
| 29 | Reactor | B033064H02 | 2 | 2 |
| 30 | Drain pipe | B035716H01 | 1 | 1 |
| 31 | Expansion vessel | 0150901H04 | 1 | |
| 32 | Assembly control box GMC | B037620G01 | | 1 |
| 32 | Assembly control box GMC | B037621G01 | 1 | |
| 33 | GMC board | B036601H08 | 1 | 1 |
| 34 | Plate heat exchanger assembly | B036531G01 | 1 | 1 |
| 35 | Water pump | 00PSG002070601A | 1 | |
| 36 | Water sensor | 0351107H25 | 1 | 1 |
| 37 | Flow switch | 0170701H19 | 1 | 1 |
| 38 | Automatic purge valve | 0150419H03 | 1 | 1 |
| 39 | Water pressure relief valve | 0150419H01 | 1 | 1 |
| 701 | Sensor (TD) | B004179269 | 1 | 1 |
| 702 | Sensor (TE) | B004177703 | 1 | 1 |
| 703 | Sensor (TS) | B004177704 | 1 | 1 |
| 704 | Sensor (TO) | B004177718 | 1 | 1 |
| 705 | Sensor (TR) | B036600H01 | 1 | 1 |
| 706 | Terminal block 6P, 20A | D001619302 | 1 | 1 |
| 708 | ASM-CORD-CLAMP | 1110084201SS | 1 | 1 |

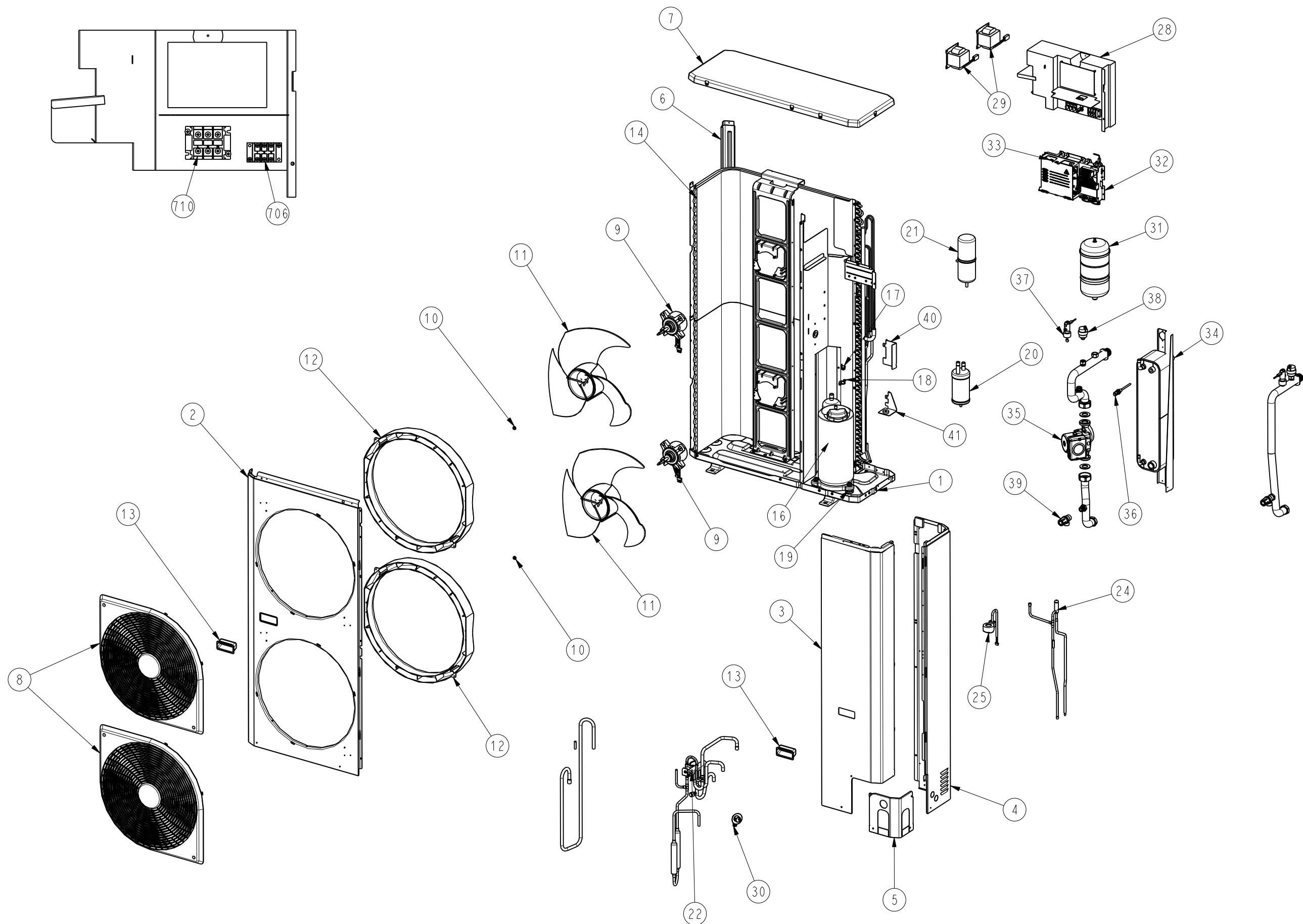


| | | |
|---------------------|----------------------|---------|
| 30awh004-to-008.asm | DATE | Feuille |
| 30awh004-to-008.asm | 17-06-2015 | Sheet |
| | 30AWH008HD-XD_SPARE_ | 1/1 |
| | | Indice |
| | | - |

EMEA REPLACEMENT COMPONENT DIVISION

Emea Replacement Components Division

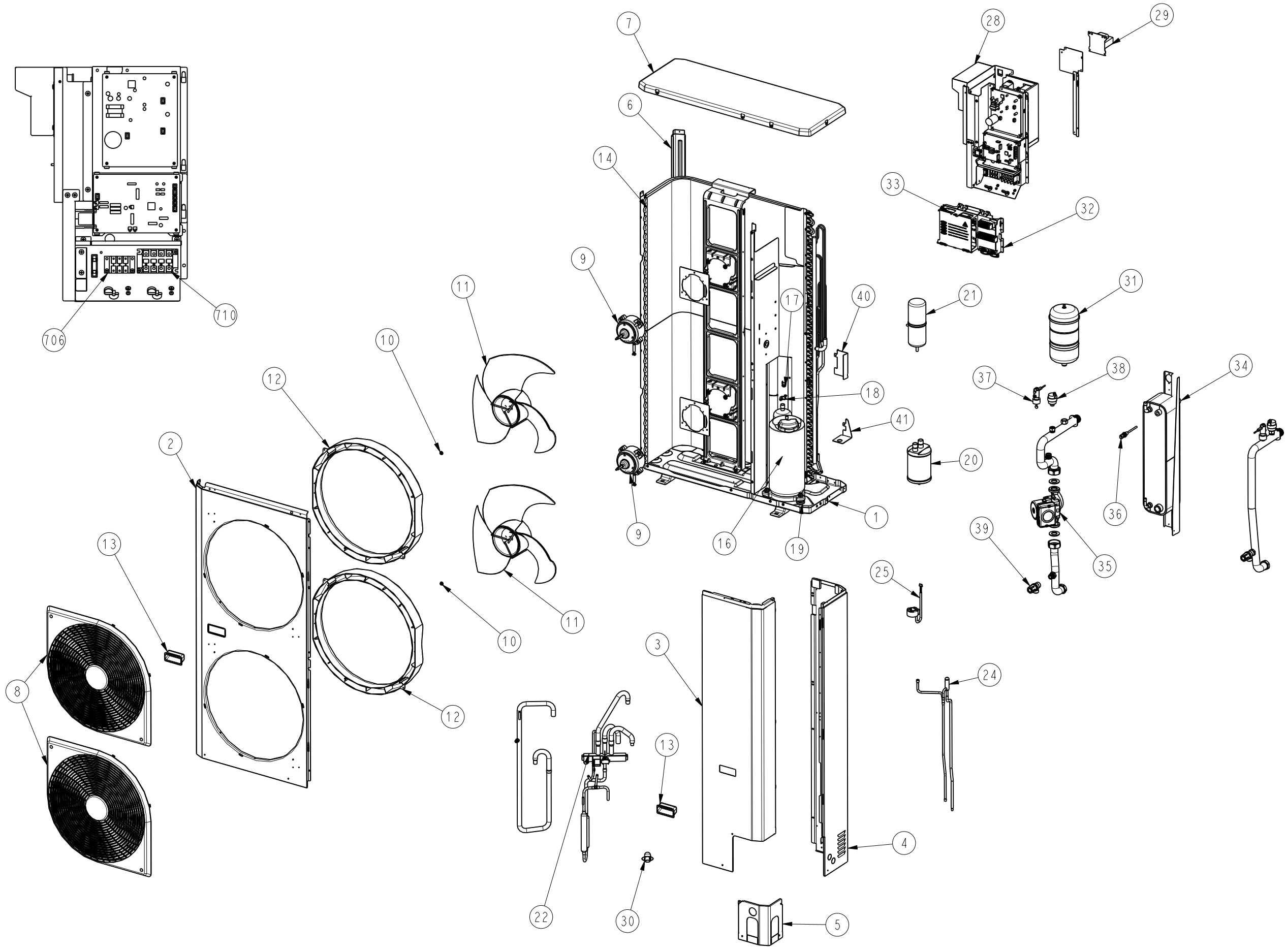
| Pos. | Description | Codice Part No | 30AWH008HD | 30AWH008XD |
|------|-------------------------------|-----------------|------------|------------|
| 1 | Base pan assy | C025228G09 | 1 | 1 |
| 2 | Front panel | D021462H01 | 1 | 1 |
| 3 | Front side panel | D021460H01 | 1 | 1 |
| 4 | Rear side panel | C025646H01 | 1 | 1 |
| 5 | Front service cover | D021459H01 | 1 | 1 |
| 6 | Pillar | B035047H01 | 1 | 1 |
| 7 | Ass. top cover | B035827G01 | 1 | 1 |
| 8 | Fan guard | C025265H01 | 1 | 1 |
| 9 | Fan motor | B035774H01 | 1 | 1 |
| 10 | Motor nut | 0080209H01 | 1 | 1 |
| 11 | Propeller fan | C025223H02 | 1 | 1 |
| 12 | Orifice | C025238H01 | 1 | 1 |
| 13 | Handle | B035058H01 | 1 | 1 |
| 14 | Condenser coil assy | C025434G51 | 1 | 1 |
| 16 | Compressor | 0370627H03 | 1 | 1 |
| 17 | Klixon | 0370627H25 | 1 | 1 |
| 18 | Klixon holder | 0370627H22 | 1 | 1 |
| 19 | Cushion rubber | 0370627H27 | 3 | 3 |
| 20 | Suction accumulator | 0151001H11 | 1 | 1 |
| 21 | Liquid receiver | 0151101H03 | 1 | 1 |
| 22 | 4 way valve with coil | 00PSG002329600A | 1 | 1 |
| 24 | PMV liquid assy | B036605G01 | 1 | 1 |
| 25 | PMV solenoid coil | 0150420H10 | 1 | 1 |
| 28 | Ass. control box inverter | B035721H11 | 1 | 1 |
| 29 | Reactor | B033064H02 | 2 | 2 |
| 30 | Drain pipe | B035716H01 | 1 | 1 |
| 31 | Expansion vessel | 0150901H04 | 1 | |
| 32 | Assembly control box GMC | B037620G01 | | 1 |
| 32 | Assembly control box GMC | B037621G01 | 1 | |
| 33 | GMC board | B036601H08 | 1 | 1 |
| 34 | Plate heat exchanger assembly | B036532G01 | 1 | 1 |
| 35 | Water pump | 00PSG002070601A | 1 | |
| 36 | Water sensor | 0351107H25 | 1 | 1 |
| 37 | Flow switch | 0170701H19 | 1 | 1 |
| 38 | Automatic purge valve | 0150419H03 | 1 | 1 |
| 39 | Water pressure relief valve | 0150419H01 | 1 | 1 |
| 701 | Sensor (TD) | B004179269 | 1 | 1 |
| 702 | Sensor (TE) | B004177703 | 1 | 1 |
| 703 | Sensor (TS) | B004177704 | 1 | 1 |
| 704 | Sensor (TO) | B004177718 | 1 | 1 |
| 705 | Sensor (TR) | B036600H01 | 1 | 1 |
| 706 | Terminal block 6P, 20A | D001619302 | 1 | 1 |
| 708 | ASM-CORD-CLAMP | 1110084201SS | 1 | 1 |



| | | |
|--|----------------------|---------|
| 30awh012-to-015.asm | DATE | Feuille |
| 30awh012-to-015.asm | 16-06-2015 | Sheet |
| | 30AWH012HD-XD_SPARE_ | 1/1 |
| | | Indice |
| EMEA REPLACEMENT COMPONENT DIVISION | | |

Emea Replacement Components Division

| Pos. | Description | Codice Part No | 30AWH012HD | 30AWH012XD |
|------|-------------------------------|-------------------|------------|------------|
| 1 | Base pan assy | C025228G10 | 1 | 1 |
| 2 | Front panel | D021470H01 | 1 | 1 |
| 3 | Front side panel | D021468H02 | 1 | 1 |
| 4 | Rear side panel | C025648H01 | 1 | 1 |
| 5 | Front service cover | D021459H01 | 1 | 1 |
| 6 | Pillar | B035048H01 | 1 | 1 |
| 7 | Ass. top cover | B035827G01 | 1 | 1 |
| 8 | Fan guard | C025265H01 | 2 | 2 |
| 9 | Fan motor | B035775H01 | 2 | 2 |
| 10 | Motor nut | 0080209H01 | 2 | 2 |
| 11 | Propeller fan | C025223H01 | 2 | 2 |
| 12 | Orifice | C025238H01 | 2 | 2 |
| 13 | Handle | B035058H01 | 2 | 2 |
| 14 | Condenser coil assy | D021560G51 | 1 | 1 |
| 16 | Compressor | 0370627H04 | 1 | 1 |
| 17 | Klixon | 0370627H25 | 1 | 1 |
| 18 | Klixon holder | 0370627H22 | 1 | 1 |
| 19 | Cushion rubber | 0370627H26 | 3 | 3 |
| 20 | Suction accumulator | 0151001H11 | 1 | 1 |
| 21 | Liquid receiver | 0151101H04 | 1 | 1 |
| 22 | 4 way valve with coil | 00PSG002329600A | 1 | 1 |
| 24 | PMV liquid assy | B036606G01 | 1 | 1 |
| 25 | PMV solenoid coil | 0150420H13 | 1 | 1 |
| 28 | Ass. control box inverter | B035721H13 | 1 | 1 |
| 29 | Reactor | B035056H02 | 2 | 2 |
| 30 | Drain pipe | B035716H01 | 1 | 1 |
| 31 | Expansion vessel | 0150901H06 | 1 | |
| 32 | Assembly control box GMC | B037620G01 | | 1 |
| 32 | Assembly control box GMC | B037621G01 | 1 | |
| 33 | GMC board | B036601H08 | 1 | 1 |
| 34 | Plate heat exchanger assembly | B036533G01 | 1 | 1 |
| 35 | Water pump | 00PSG002070701A | 1 | |
| 36 | Water sensor | 0351107H25 | 1 | 1 |
| 37 | Flow switch | 0170701H25 | 1 | 1 |
| 38 | Automatic purge valve | 0150419H03 | 1 | 1 |
| 39 | Water pressure relief valve | 0150419H01 | 1 | 1 |
| 40 | Vessel bracket holder | B036748H01 | 1 | 1 |
| 41 | Suction accumulator bracket | B036655H01 | 1 | 1 |
| 701 | Sensor (TD) | C004180801 | 1 | 1 |
| 702 | Sensor (TE) (TS) (TO) | C004180201 | 1 | 1 |
| 705 | Sensor (TR) | B036600H01 | 1 | 1 |
| 706 | Terminal block 3P, 20A | D001619301 | 1 | 1 |
| 708 | ASM-CORD-CLAMP | 1110084201SS | 1 | 1 |
| 710 | Terminal block 3P, 20A | D001619304 | 1 | 1 |

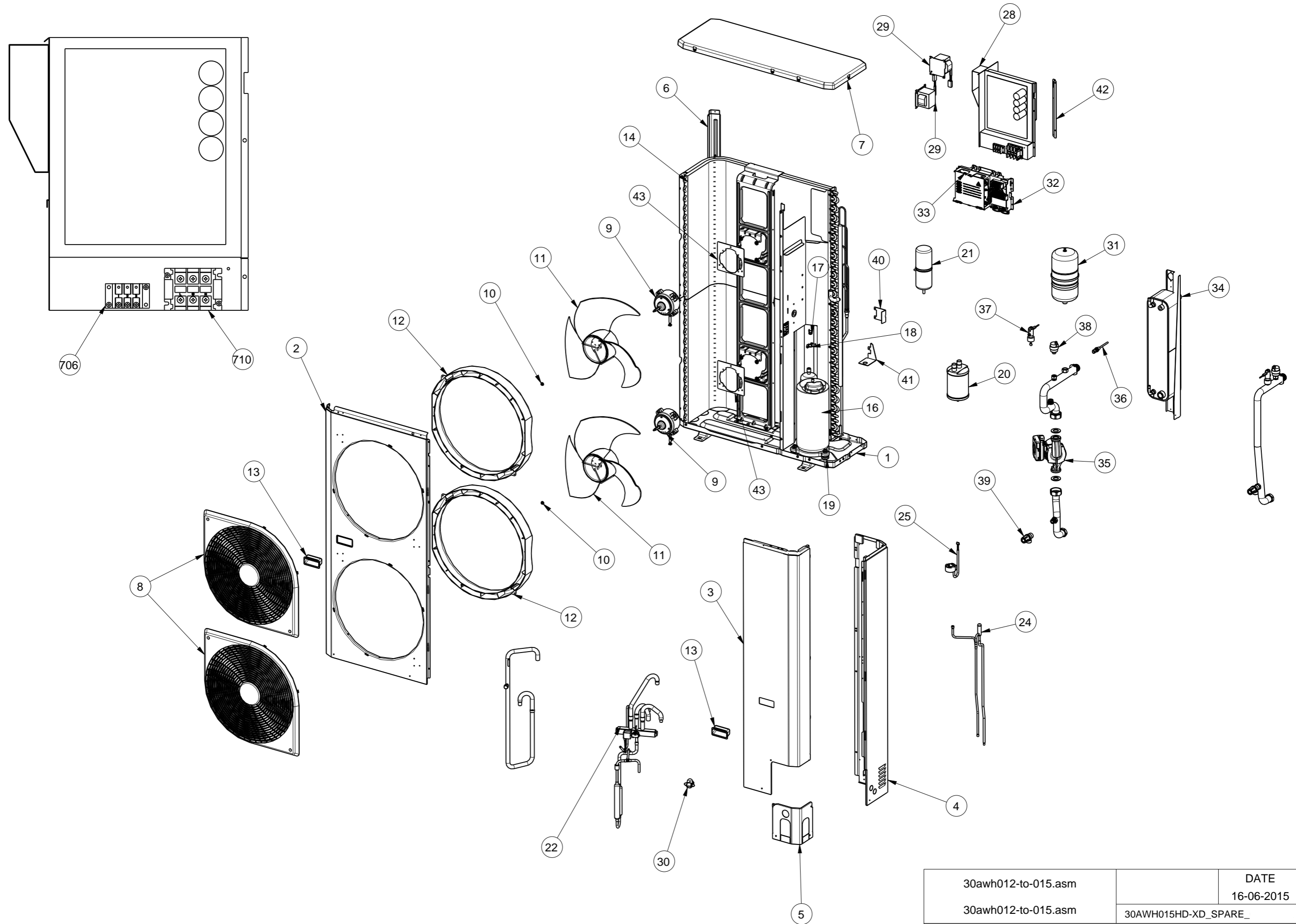


| | | |
|---------------------|------------------------|---------|
| 30awh012-to-015.asm | DATE | Feuille |
| 30awh012-to-015.asm | 16-06-2015 | Sheet |
| | 30AWH012HD9-XD9_SPARE_ | 1/1 |
| | | Indice |
| | | - |

EMEA REPLACEMENT COMPONENT DIVISION

Enea Replacement Components Division

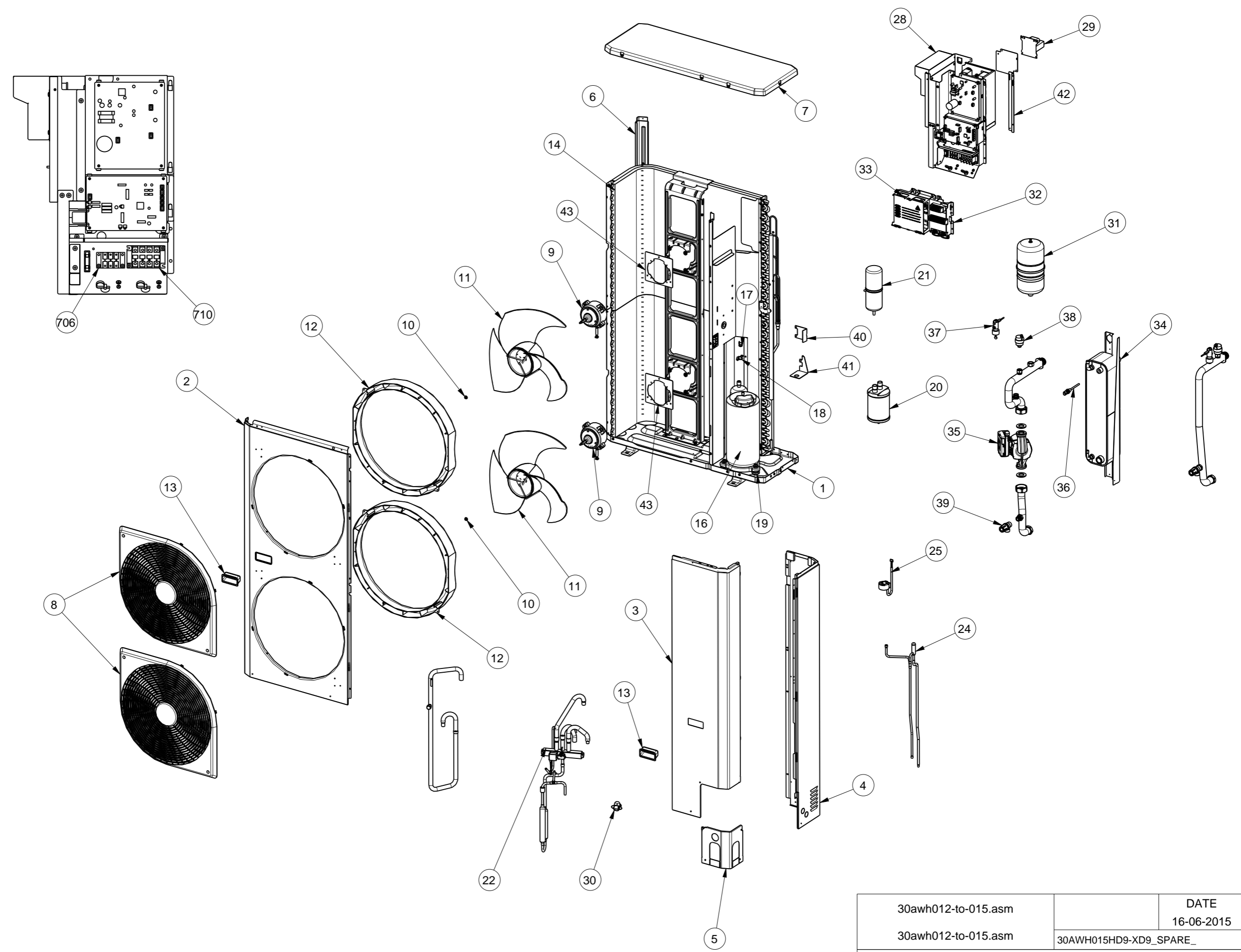
| Pos. | Description | Codice Part No | 30AWH012HD9 | 30AWH012XD9 |
|------|-------------------------------|-------------------|-------------|-------------|
| 1 | Base pan assy | C025228G10 | 1 | 1 |
| 2 | Front panel | D021470H01 | 1 | 1 |
| 3 | Front side panel | D021468H02 | 1 | 1 |
| 4 | Rear side panel | C025648G01 | 1 | 1 |
| 5 | Front service cover | D021459H01 | 1 | 1 |
| 6 | Pillar | B035048H01 | 1 | 1 |
| 7 | Ass. top cover | B035827G01 | 1 | 1 |
| 8 | Fan guard | C025265H01 | 2 | 2 |
| 9 | Fan motor | B036870H01 | 2 | 2 |
| 10 | Motor nut | 0080209H01 | 2 | 2 |
| 11 | Propeller fan | C025223H01 | 2 | 2 |
| 12 | Orifice | C025238H01 | 2 | 2 |
| 13 | Handle | B035058H01 | 2 | 2 |
| 14 | Condenser coil assy | D021560G51 | 1 | 1 |
| 16 | Compressor | 0370627H08 | 1 | 1 |
| 17 | Klixon | 0370627H25 | 1 | 1 |
| 18 | Klixon holder | 0370627H22 | 1 | 1 |
| 19 | Cushion rubber | 0370627H26 | 3 | 3 |
| 20 | Suction accumulator | 0151001H06 | 1 | 1 |
| 21 | Liquid receiver | 0151101H04 | 1 | 1 |
| 22 | 4 way valve with coil | 00PSG002329600A | 1 | 1 |
| 24 | PMV liquid assy | B036957G01 | 1 | 1 |
| 25 | PMV solenoid coil | 0150420H19 | 1 | 1 |
| 28 | Ass. control box inverter | B037516H01 | 1 | 1 |
| 29 | Reactor | B037517H01 | 1 | 1 |
| 30 | Drain pipe | B035716H01 | 1 | 1 |
| 31 | Expansion vessel | 0150901H06 | 1 | |
| 32 | Assembly control box GMC | B037518G01 | 1 | |
| 32 | Assembly control box GMC | B037518G02 | | 1 |
| 33 | GMC board | B036601H08 | 1 | 1 |
| 34 | Plate heat exchanger assembly | B036533G01 | 1 | 1 |
| 35 | Water pump | 00PSG002070701A | 1 | |
| 36 | Water sensor | 0351107H25 | 1 | 1 |
| 37 | Flow switch | 0170701H25 | 1 | 1 |
| 38 | Automatic purge valve | 0150419H03 | 1 | 1 |
| 39 | Water pressure relief valve | 0150419H01 | 1 | 1 |
| 40 | Vessel bracket holder | B036748H01 | 1 | 1 |
| 41 | Suction accumulator bracket | B036655H01 | 1 | 1 |
| 701 | Sensor (TD) (TL) | 43150319 | 1 | 1 |
| 702 | Sensor (TE) (TS) (TO) | 43050425 | 1 | 1 |
| 705 | Sensor (TR) | B036600H01 | 1 | 1 |
| 706 | Terminal block 3P, 20A | 43160565 | 1 | 1 |
| 710 | Terminal block 3P, 60A | 43160581 | 1 | 1 |



| | | | |
|--|----------------------|------------|---------|
| 30awh012-to-015.asm | | DATE | Feuille |
| 30awh012-to-015.asm | | 16-06-2015 | Sheet |
| | 30AWH015HD-XD_SPARE_ | | 1/1 |
| | | | Indice |
| | | | - |
| EMEA REPLACEMENT COMPONENT DIVISION | | | |

Emea Replacement Components Division

| Pos. | Description | Codice Part No | 30AWH015HD | 30AWH015XD |
|------|-------------------------------|-------------------|------------|------------|
| 1 | Base pan assy | C025228G10 | 1 | 1 |
| 2 | Front panel | D021470H01 | 1 | 1 |
| 3 | Front side panel | D021468H02 | 1 | 1 |
| 4 | Rear side panel | C025648H01 | 1 | 1 |
| 5 | Front service cover | D021459H01 | 1 | 1 |
| 6 | Pillar | B035048H01 | 1 | 1 |
| 7 | Ass. top cover | B035827G01 | 1 | 1 |
| 8 | Fan guard | C025265H01 | 2 | 2 |
| 9 | Fan motor | B036870H01 | 2 | 2 |
| 10 | Motor nut | 0080209H01 | 2 | 2 |
| 11 | Propeller fan | C025223H01 | 2 | 2 |
| 12 | Orifice | C025238H01 | 2 | 2 |
| 13 | Handle | B035058H01 | 2 | 2 |
| 14 | Condenser coil assy | C025902G11 | 1 | 1 |
| 16 | Compressor | 0370627H07 | 1 | 1 |
| 17 | Klixon | 0370627H25 | 1 | 1 |
| 18 | Klixon holder | 0370627H22 | 1 | 1 |
| 19 | Cushion rubber | 0370627H26 | 3 | 3 |
| 20 | Suction accumulator | 0151001H06 | 1 | 1 |
| 21 | Liquid receiver | 0151101H04 | 1 | 1 |
| 22 | 4 way valve with coil | C025712G01 | 1 | 1 |
| 24 | PMV liquid assy | B036957G01 | 1 | 1 |
| 25 | PMV solenoid coil | 0150420H19 | 1 | 1 |
| 28 | Ass. control box inverter | B036955H01 | 1 | 1 |
| 29 | Reactor | B035056H02 | 2 | 2 |
| 30 | Drain pipe | B035716H01 | 1 | 1 |
| 31 | Expansion vessel | 0150901H06 | 1 | |
| 32 | Assembly control box GMC | B037620G01 | | 1 |
| 32 | Assembly control box GMC | B037621G01 | 1 | |
| 33 | GMC board | B036601H08 | 1 | 1 |
| 34 | Plate heat exchanger assembly | B036533G01 | 1 | 1 |
| 35 | Water pump | 00PSG002070701A | 1 | |
| 36 | Water sensor | 0351107H25 | 1 | 1 |
| 37 | Flow switch | 0170701H25 | 1 | 1 |
| 38 | Automatic purge valve | 0150419H03 | 1 | 1 |
| 39 | Water pressure reliev valve | 0150419H01 | 1 | 1 |
| 40 | Vessel bracket holder | B036748H02 | 1 | 1 |
| 41 | Suction accumulator bracket | B036655H02 | 1 | 1 |
| 42 | C.BOX inverter bracket | B036931H02 | 1 | 1 |
| 43 | Motor adapter | B036871H01 | 2 | 2 |
| 701 | Sensor (TD) (TL) | 43150319 | 1 | 1 |
| 702 | Sensor (TE) (TS) (TO) | 43050425 | 1 | 1 |
| 705 | Sensor (TR) | B036600H01 | 1 | 1 |
| 706 | Terminal block 3R 20A | 43160565 | 1 | 1 |
| 710 | Terminal block 3R 60A | 43160581 | 1 | 1 |



| | | | |
|---------------------|------------------------|------------|---------|
| 30awh012-to-015.asm | | DATE | Feuille |
| 30awh012-to-015.asm | 30AWH015HD9-XD9_SPARE_ | 16-06-2015 | Sheet |
| | | | 1/1 |
| | | | Indice |
| | | | - |

EMEA REPLACEMENT COMPONENT DIVISION

Emea Replacement Components Division

| Pos. | Description | Codice Part No | 30AWH015HD9 | 30AWH015XD9 |
|------|-------------------------------|-------------------|-------------|-------------|
| 1 | Base pan assy | C025228G10 | 1 | 1 |
| 2 | Front panel | D021470H01 | 1 | 1 |
| 3 | Front side panel | D021468H02 | 1 | 1 |
| 4 | Rear side panel | C025648H01 | 1 | 1 |
| 5 | Front service cover | D021459H01 | 1 | 1 |
| 6 | Pillar | B035048H01 | 1 | 1 |
| 7 | Ass. top cover | B035827G01 | 1 | 1 |
| 8 | Fan guard | C025265H01 | 2 | 2 |
| 9 | Fan motor | B036870H01 | 2 | 2 |
| 10 | Motor nut | 0080209H01 | 2 | 2 |
| 11 | Propeller fan | C025223H01 | 2 | 2 |
| 12 | Orifice | C025238H01 | 2 | 2 |
| 13 | Handle | B035058H01 | 2 | 2 |
| 14 | Condenser coil assy | C025902G11 | 1 | 1 |
| 16 | Compressor | 0370627H08 | 1 | 1 |
| 17 | Klixon | 0370627H25 | 1 | 1 |
| 18 | Klixon holder | 0370627H22 | 1 | 1 |
| 19 | Cushion rubber | 0370627H26 | 3 | 3 |
| 20 | Suction accumulator | 0151001H06 | 1 | 1 |
| 21 | Liquid receiver | 0151101H04 | 1 | 1 |
| 22 | 4 way valve / coil | 0150412H66 / H68 | 1 | 1 |
| 24 | PMV liquid assy | B036957G01 | 1 | 1 |
| 25 | PMV solenoid coil | 0150420H19 | 1 | 1 |
| 28 | Ass. control box inverter | B037516H01 | 1 | 1 |
| 29 | Reactor | B037517H01 | 1 | 1 |
| 30 | Drain pipe | B035716H01 | 1 | 1 |
| 31 | Expansion vessel | 0150901H06 | 1 | |
| 32 | Assembly control box GMC | B037518G01 | 1 | |
| 32 | Assembly control box GMC | B037518G02 | | 1 |
| 33 | GMC board | B036601H08 | 1 | 1 |
| 34 | Plate heat exchanger assembly | B036533G01 | 1 | 1 |
| 35 | Water pump | 00PSG002070701A | 1 | |
| 36 | Water sensor | 0351107H25 | 1 | 1 |
| 37 | Flow switch | 0170701H25 | 1 | 1 |
| 38 | Automatic purge valve | 0150419H03 | 1 | 1 |
| 39 | Water pressure reliev valve | 0150419H01 | 1 | 1 |
| 40 | Vessel bracket holder | B036748H02 | 1 | 1 |
| 41 | Suction accumulator bracket | B036655H02 | 1 | 1 |
| 42 | C.BOX inverter bracket | B036931H02 | 1 | 1 |
| 43 | Motor adapter | B036871H01 | 2 | 2 |
| 701 | Sensor (TD) (TL) | 43150319 | 1 | 1 |
| 702 | Sensor (TE) (TS) (TO) | 43050425 | 1 | 1 |
| 705 | Sensor (TR) | B036600H01 | 1 | 1 |
| 706 | Terminal block 3R 20A | 43160565 | 1 | 1 |
| 710 | Terminal block 3R 60A | 43160581 | 1 | 1 |